

# US14 & US22

# 750 VOLT/ULTRASAFE™ FUSE HOLDERS



## ULTRASAFE MODULAR FUSE HOLDERS FOR 14 X 51 AND 22 X 58 MM FUSES

Ferraz Shawmut ULTRASAFE™ modular 750 volt Fuse Holders offer the highest levels of safety and features for 14 x 51 mm and 22 x 58 mm fuses. Like all ULTRASAFE™ holders, they qualify as “finger safe” to an IP20 grade of protection under IEC standards, including fuse changing (with the flick of a finger). The US14 and US22 ranges are available in 1, 2 or 3 pole units, with or without blown-fuse indicator lights in each pole.

These holders come standard with a mechanical indicator that shows fuse presence. If a striker fuse is used, this mechanical indicator will also indicate a blown fuse. Microswitches can be supplied with the holders (or ordered separately for field installation) to allow remote communication. These holders also feature padlocking capabilities, DIN rail mounting with our unique latching system to allow re-positioning, and the capability to be joined as multiple poles in the field.

### HIGHLIGHTS:

- Finger Safe
- Optional Indicator Lights
- Optional Microswitches
- DIN Rail Mount
- Compact Footprint
- Quick, Easy Fuse Change

### APPLICATIONS:

- All circuits up to 750 volts using semiconductor fuses for protection of small inverters, UPS systems, motor drives, etc.
- No-load disconnect
- IP20 requirements

| Ratings   | Approvals   |
|---|---|
| <ul style="list-style-type: none"> <li>➤ 750V AC</li> <li>➤ 50A (14 x 51 mm)</li> <li>➤ 125A (22 x 58 mm)</li> <li>➤ Short Circuit Current Rating: 200kA</li> </ul> | <ul style="list-style-type: none"> <li>➤ All Ultrasafe Fuse Holders meet the requirements of UL512</li> <li>➤ UL Recognized Component Guide IZLT2, File E52283</li> <li>➤ CSA Certified Class 6225, File 32169</li> <li>➤ IEC 269, 947-3</li> </ul> |






### RECOMMENDED FUSE USAGE

US14 . . . . . use with 14 x 51mm **A70QS, A70P, URC, URD, gD14**  
 US22 . . . . . use with 22 x 58mm **A70QS, URD, gD22**



# US14 & US22

# 750 VOLT/ULTRASAFE™ FUSE HOLDERS

## Catalog Numbers and Descriptions - For use with 14 x 51 mm Fuses up to 50A

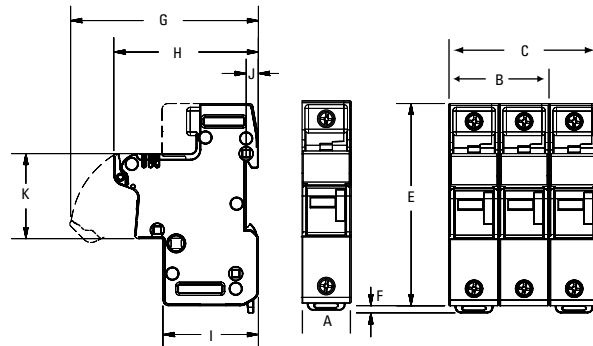
| CATALOG NO. | DESCRIPTION                              |
|-------------|--|
| US141       | 1 Pole                                   |
| US142       | 2 Pole                                   |
| US143       | 3 Pole                                   |
| US141I      | 1 Pole with Indicator                    |
| US142I      | 2 Pole with Indicators                   |
| US143I      | 3 Pole with Indicators                   |
| US141M      | 1 Pole with Microswitch                  |
| US142M      | 2 Pole with Microswitch                  |
| US143M      | 3 Pole with Microswitch                  |
| US143M2     | 3 Pole with 2 Microswitches              |
| US141MI     | 1 Pole with Microswitch & Indicator      |
| US142MI     | 2 Pole with Microswitch & Indicators     |
| US143MI     | 3 Pole with Microswitch & Indicators     |
| US143M2I    | 3 Pole with 2 Microswitches & Indicators |
| US141N      | 1 Pole - Neutral                         |
| US14PAK     | Accessory - Multi-pole Assembly Kit      |
| US14S1P     | Accessory - 1 Pole Microswitch           |
| US14S3P     | Accessory - 3 Pole Microswitch           |
| US14S3P2    | Accessory - 3 Pole, 2 Microswitches      |

## Catalog Numbers and Descriptions - For use with 22 x 58 mm Fuses up to 125A

| CATALOG NO. | DESCRIPTION                              |
|-------------|--|
| US221       | 1 Pole                                   |
| US222       | 2 Pole                                   |
| US223       | 3 Pole                                   |
| US221I      | 1 Pole with Indicator                    |
| US222I      | 2 Pole with Indicators                   |
| US223I      | 3 Pole with Indicators                   |
| US221M      | 1 Pole with Microswitch                  |
| US222M      | 2 Pole with Microswitch                  |
| US223M      | 3 Pole with Microswitch                  |
| US223M2     | 3 Pole with 2 Microswitches              |
| US221MI     | 1 Pole with Microswitch & Indicator      |
| US222MI     | 2 Pole with Microswitch & Indicators     |
| US223MI     | 3 Pole with Microswitch & Indicators     |
| US223M2I    | 3 Pole with 2 Microswitches & Indicators |
| US22N       | 1 Pole - Neutral                         |
| US22PAK     | Accessory - Multi-pole Assembly Kit      |
| US22S1P     | Accessory - 1 Pole Microswitch           |
| US22S3P     | Accessory - 3 Pole Microswitch           |
| US22S3P2    | Accessory - 3 Pole, 2 Microswitches      |

## Accessories for Assembling Multiple Poles

|          |          |                             |
|----------|----------|-----------------------------|
| US14PAK  | US22PAK  | Multi-pole Assembly Kit     |
| US14S1P  | US22S1P  | Microswitch for single pole |
| US14S3P  | US22S3P  | Microswitch for 3 pole      |
| US14S3P2 | US22S3P2 | 2 Microswitches for 3 pole  |



## Dimensions

| DIMENSION | US14  |      | US22  |      |
|-----------|-------|------|-------|------|
|           | mm    | In   | mm    | In   |
| A         | 26.5  | 1.04 | 35.0  | 1.38 |
| B         | 53.0  | 2.09 | 70.0  | 2.76 |
| C         | 79.5  | 3.13 | 105.0 | 4.13 |
| E         | 107.0 | 4.21 | 124.0 | 4.88 |
| F         | 3.80  | 0.15 | 3.80  | 0.15 |
| G         | 94.0  | 3.70 | 103.0 | 4.06 |
| H         | 76.5  | 3.01 | 76.5  | 3.01 |
| J         | 6.50  | 0.26 | 6.5   | 0.26 |
| K         | 45.0  | 1.77 | 45.0  | 1.77 |

**Terminal screws:** Phillips/slot head

**Suggested screw torque:** 50A - 35 lbs.-in.  
125A - 45 lbs.-in.

**Connector type:** Pressure Plate

**Wire range:** US14 #2 to #14 (solid/stranded Cu)  
US22 1/0 to #14 (solid/stranded Cu)

**Load-break disconnect:** No